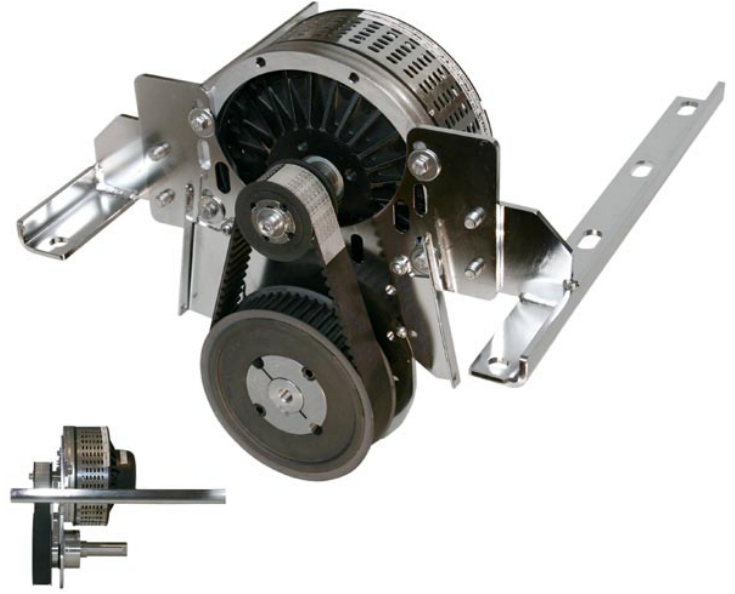
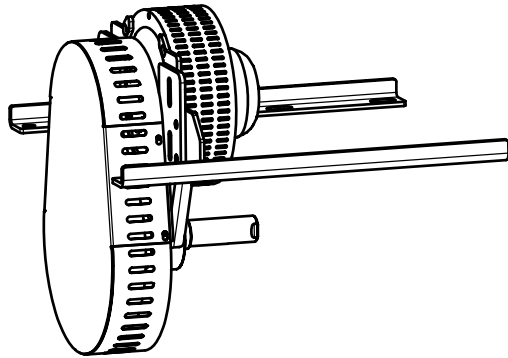


Motor Console

Measurements

Isometric view



Measurements

